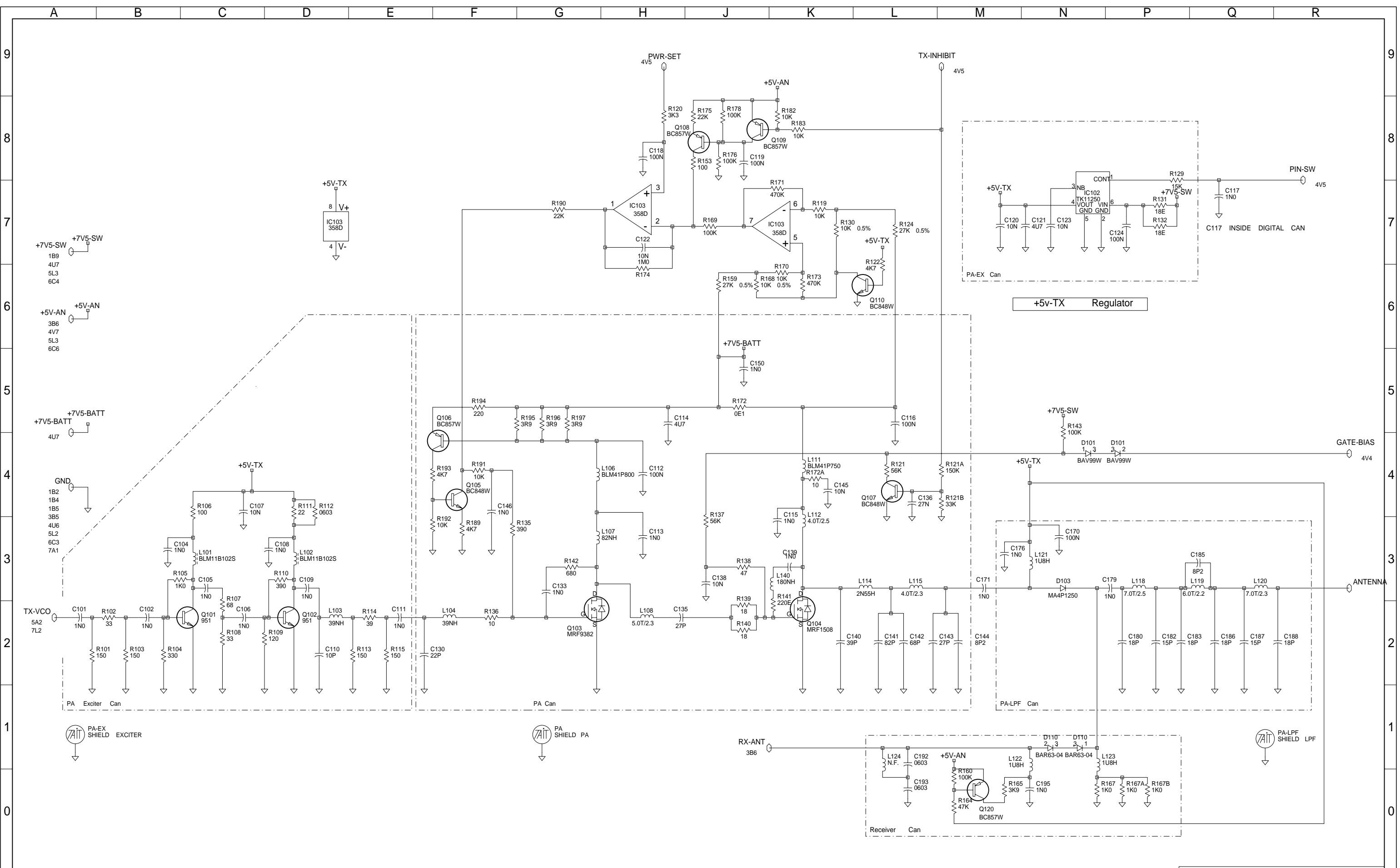


REV/ISS	AMENDMENTS	DRAWN	CHKD	D.O.	APVD	DATE
03D	CCO NO. 1588-011 DIG CAN ATL.2	BRD				2/2/2K
03C	D103 > MV4P1250. ECO 50-0411	TS				29-10-99
03B	4 SPR.PINS TO SMD. SEALS NONSMD CCO No.1588-007	TS				06/10/99
02B	PARTS ADDED TO SAVE POWER	BRD				11/06/99
02B	GEN-NEW PASTE SCREEN FOR DEK	BRD				02/06/99
02A	MINOR MOD TO CCT AND VALUES	SPICJK				25/05/99
01A	NEW PA LINEUP	BCS/CJK				12/02/99



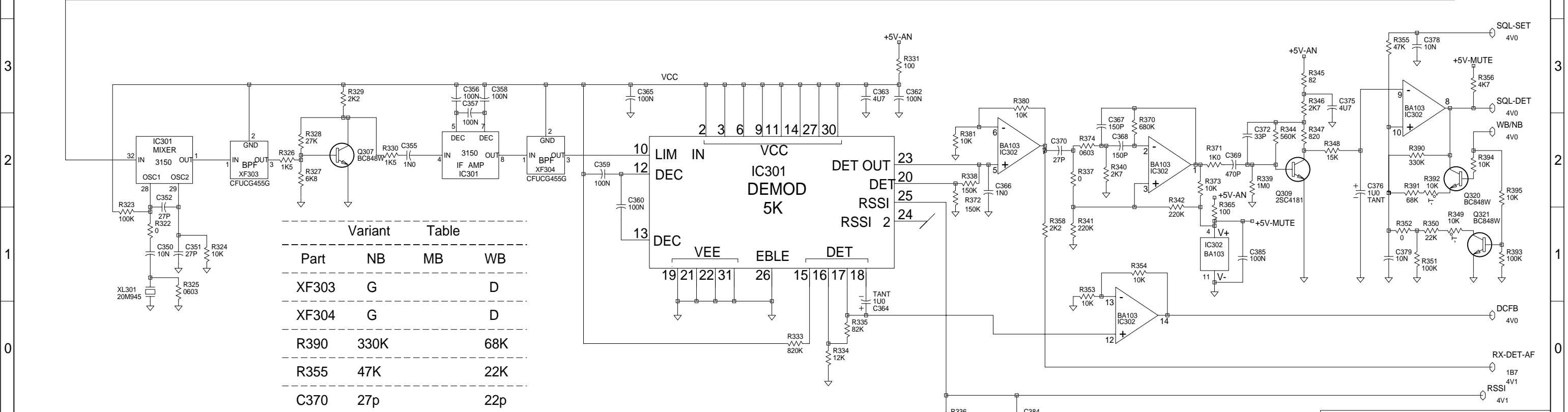
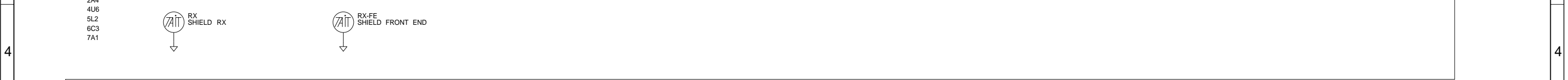
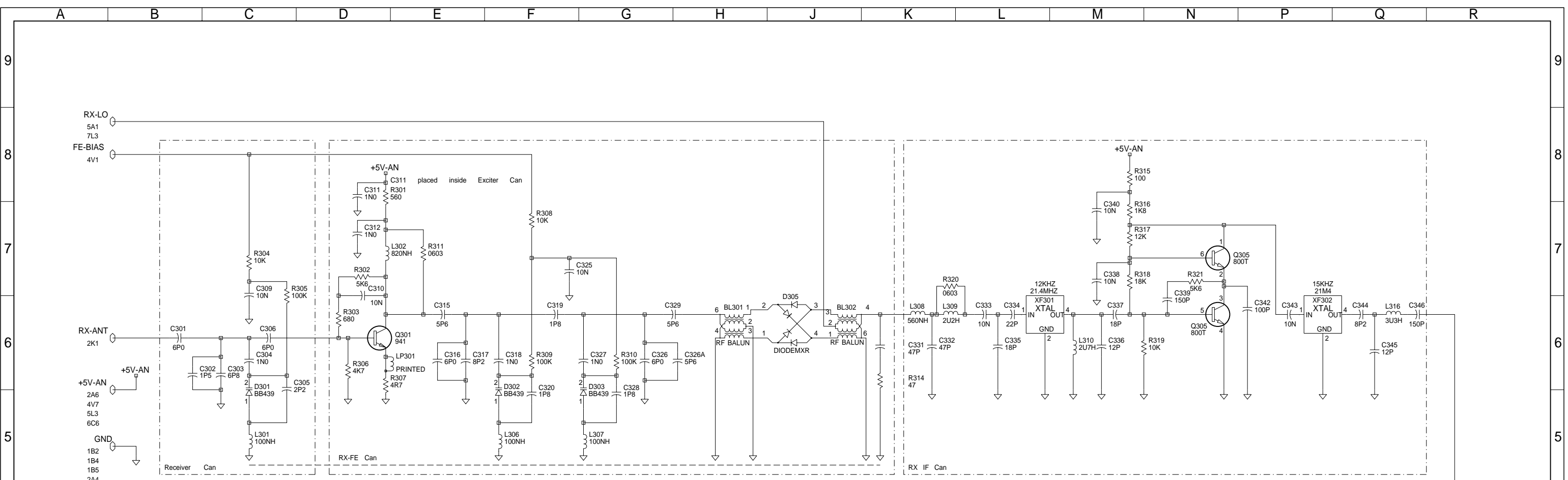
VHF
Tait Orca

© TAIT ELECTRONICS			
ORCA :TP010-3122		136-174MHZ	
SYSTEM DIAGRAM			
IPN: 220-01588-03	ISSUE: D	ID: 2.S.C. 1	
PROJECT: TAIT ORCA	DESIGNER: BRD	FILE NAME: 158803d	FILE DATE: 7-Feb-00
		NO. SHEETS: 7	



01A	NEW PA LINEUP (BC-S)	CJK				12/02/99
REV/ISS	AMENDMENTS	DRAWN	CHKD	D.O.	APVD	DATE

© TAIT ELECTRONICS
 ORCA :TP010-3122 136-174MHZ
 POWER AMPLIFIER
 IPN: 220-01588-03 ISSUE: D ID: 2.S.C. 2
 PROJECT: TAIT ORCA DESIGNER: BRD FILE NAME: 158803d FILE DATE: 7-Feb-00 NO.SHEETS: 7

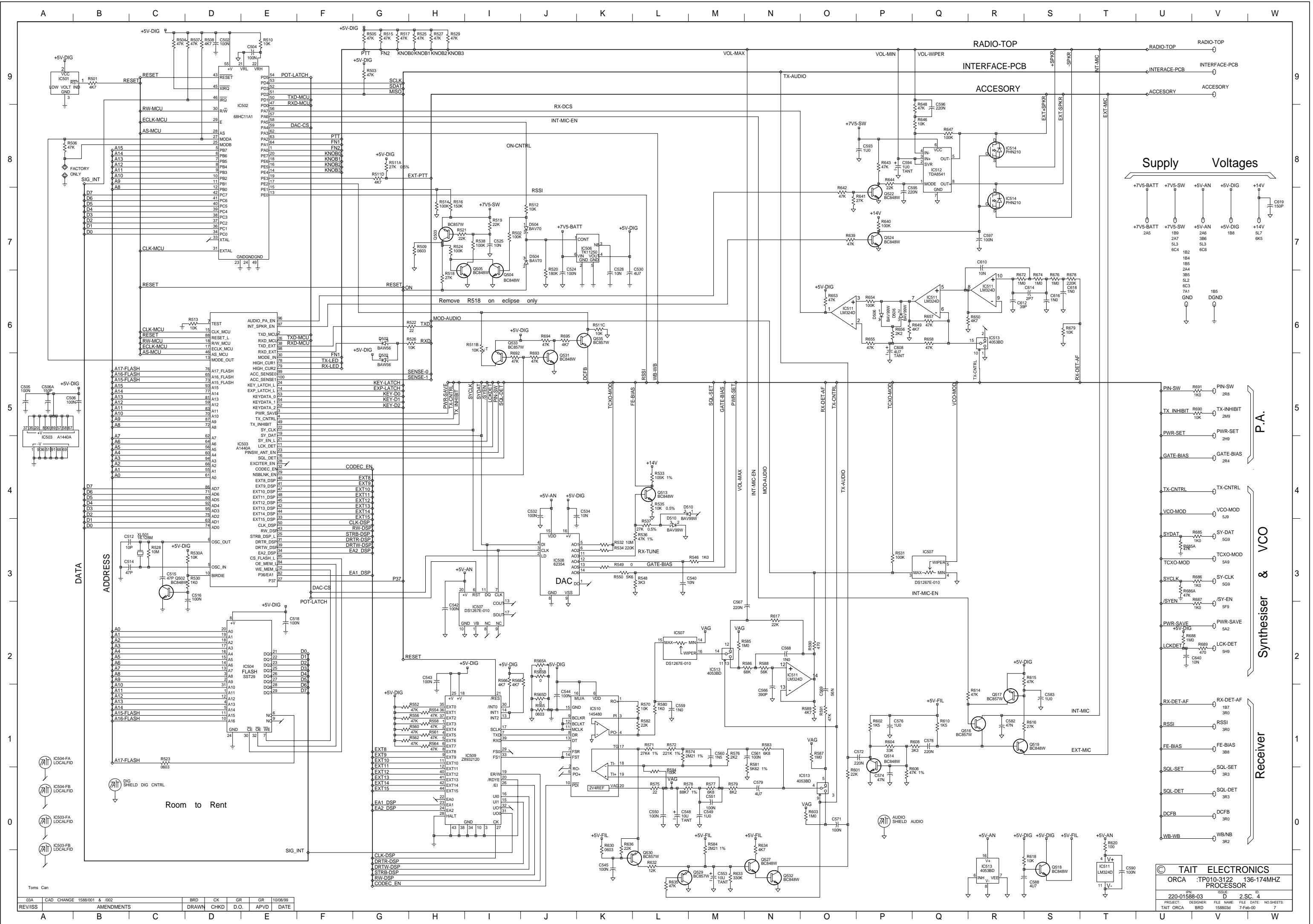


Variant Table

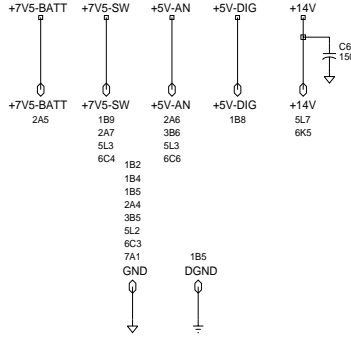
Part	NB	MB	WB
XF303	G		D
XF304	G		D
R390	330K		68K
R355	47K		22K
C370	27p		22p
C369	470p		330p

01A		CJK				12/02/99
REV/ISS	AMENDMENTS	DRAWN	CHKD	D.O.	APVD	DATE

© TAIT ELECTRONICS
 ORCA :TP010-3122 136-174MHZ RECEIVER
 IPN: 220-01588-03 ISSUE: D 2.S.C. 3
 PROJECT: ORCA DESIGNER: BRD FILE NAME: 158803d DATE: 7-Feb-00 NO.SHEETS: 7



Supply Voltages



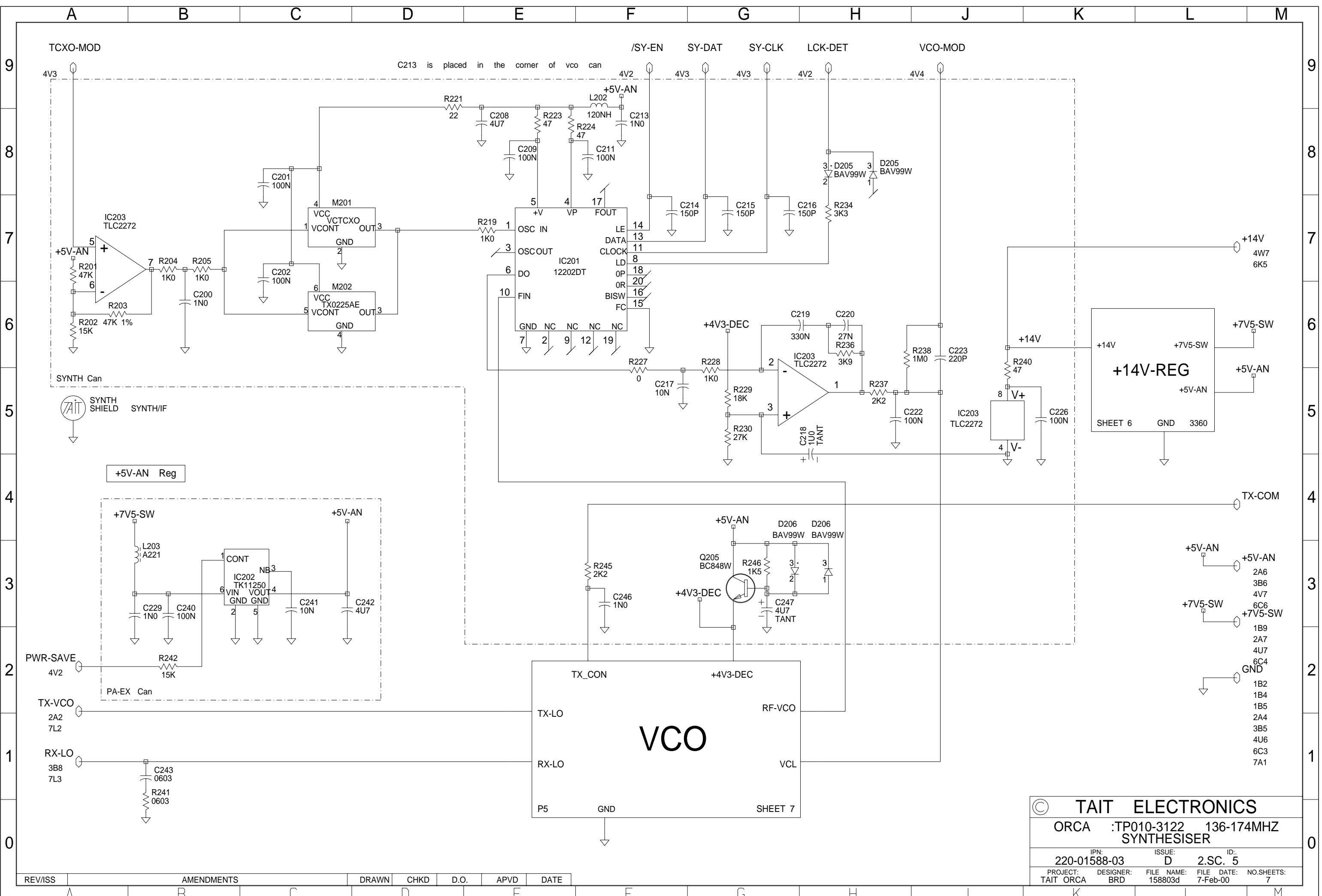
- P.A.**
- PIN-SW 288
 - TX-INHIBIT 289
 - PWR-SET 289
 - GATE-BIAS 284

- Synthesiser & VCO**
- TX-CNTRL 519
 - VCO-MOD 519
 - TCXO-MOD 549
 - SYCLK 509
 - SY-EN 5F9
 - PWR-SAVE 5A2
 - LCK-DET 5H9

- Receiver**
- RX-DET-AF 380
 - RSSI 380
 - FE-BIAS 388
 - SOL-SET 383
 - SOL-DET 383
 - DCFB 380
 - WB-WB 382

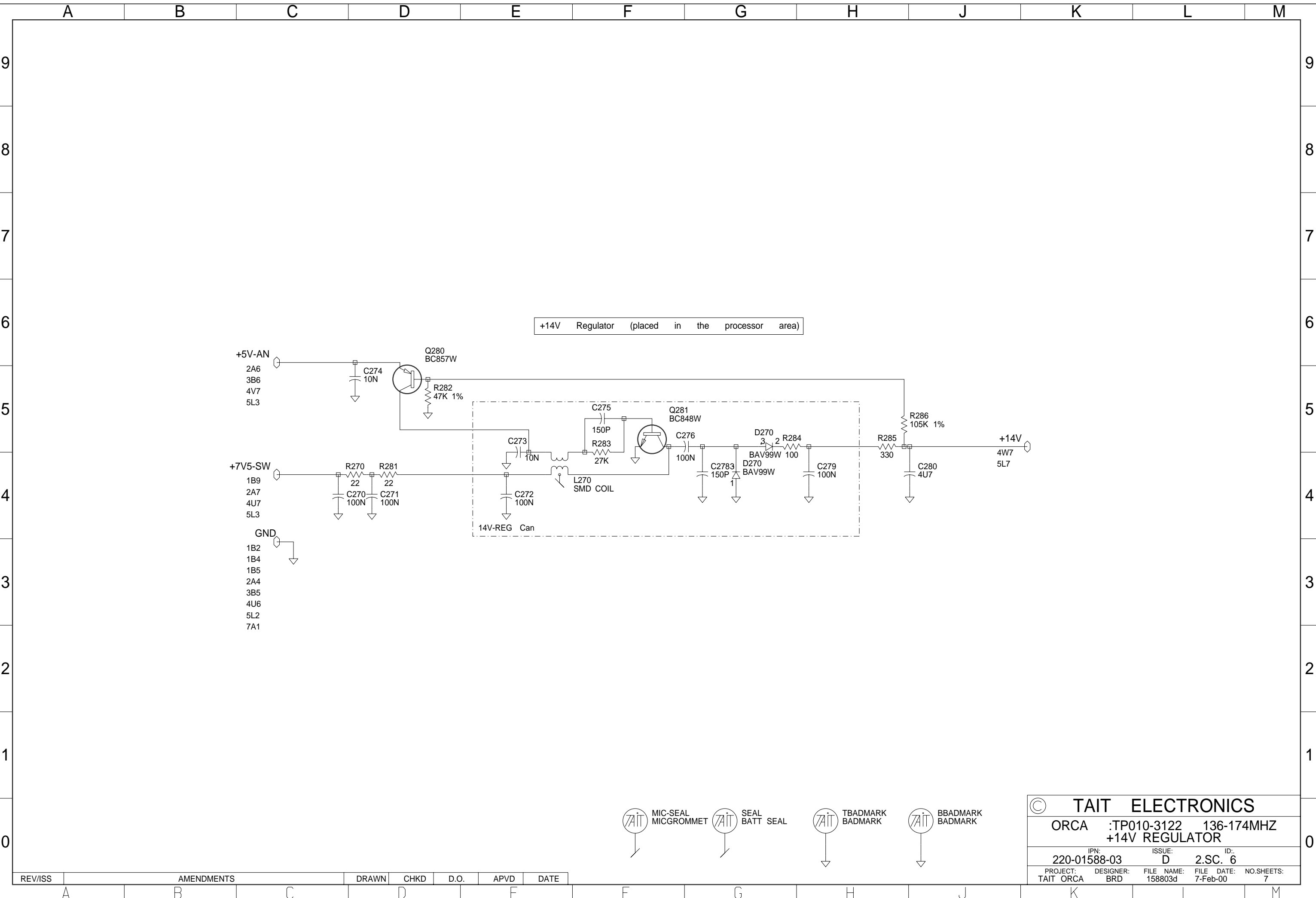
03A	CAD CHANGE	1588/001 & /002	BRD	CK	GR	GR	10/08/99
REV/ISS	AMENDMENTS		DRAWN	CHKD	D.O.	APVD	DATE

© TAIT ELECTRONICS
 ORCA :TP10-3122 136-174MHZ
 PROCESSOR
 220-01588-03 D 2-SC 4
 PRODUCT DESIGNER FILE NAME FILE DATE NO SHEETS
 TAIT ORCA BRD 1588/034 7-Feb-00 7







© TAIT ELECTRONICS
 ORCA :TP010-3122 136-174MHZ SYNTHESISER
 IPN: 220-01588-03 ISSUE: D ID: 2.SC. 5
 PROJECT: TAIT ORCA DESIGNER: BRD FILE NAME: 158803d FILE DATE: 7-Feb-00 NO.SHEETS: 7

REV/ISS	AMENDMENTS	DRAWN	CHKD	D.O.	APVD	DATE

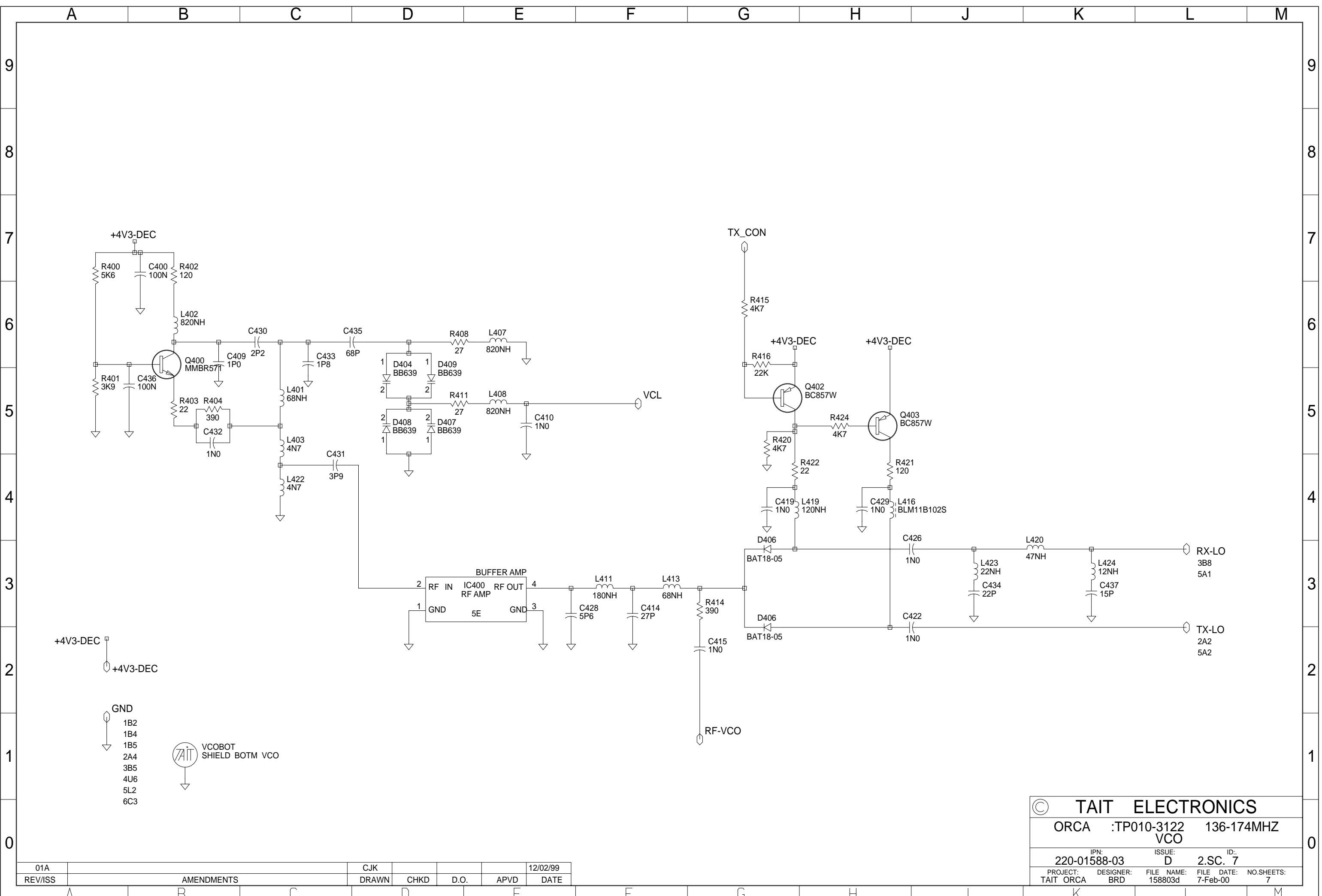


+14V Regulator (placed in the processor area)

-  MIC-SEAL
MICGROMMET
-  SEAL
BATT SEAL
-  TBADMARK
BADMARK
-  BBADMARK
BADMARK

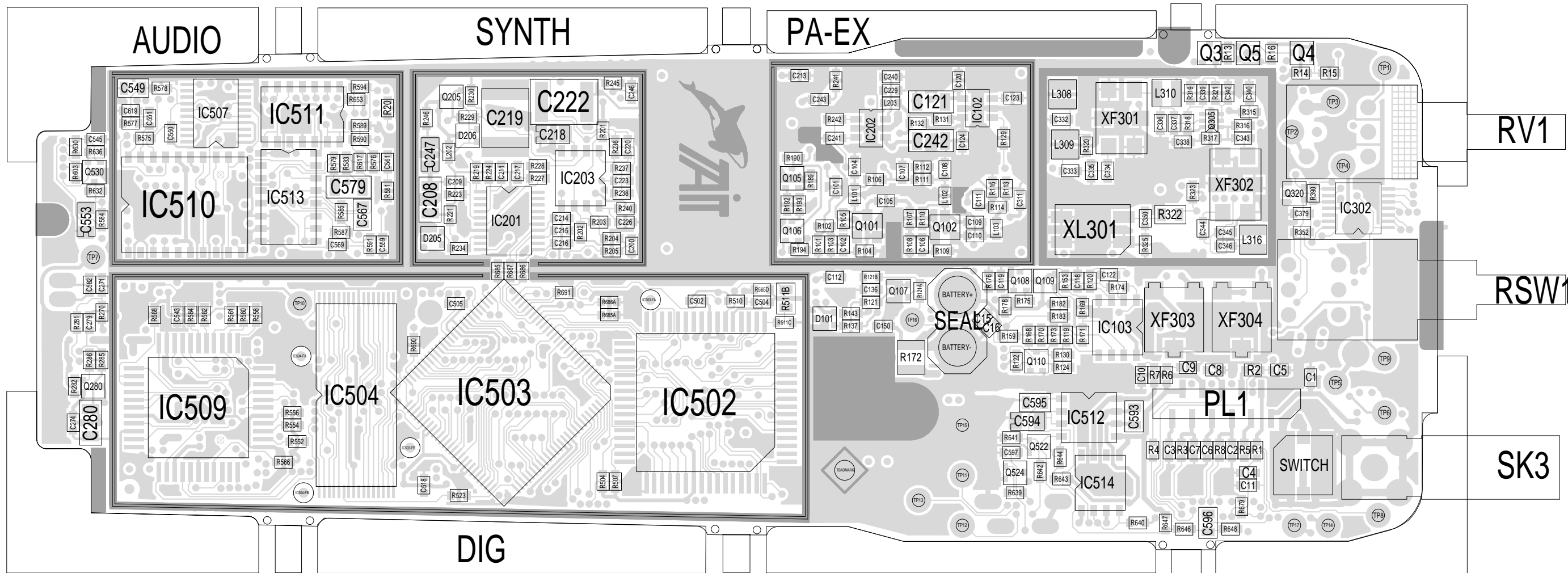
© TAIT ELECTRONICS				
ORCA		:TP010-3122		136-174MHZ
+14V REGULATOR				
IPN: 220-01588-03		ISSUE: D		ID: 2.SC. 6
PROJECT: TAIT ORCA	DESIGNER: BRD	FILE NAME: 158803d	FILE DATE: 7-Feb-00	NO.SHEETS: 7

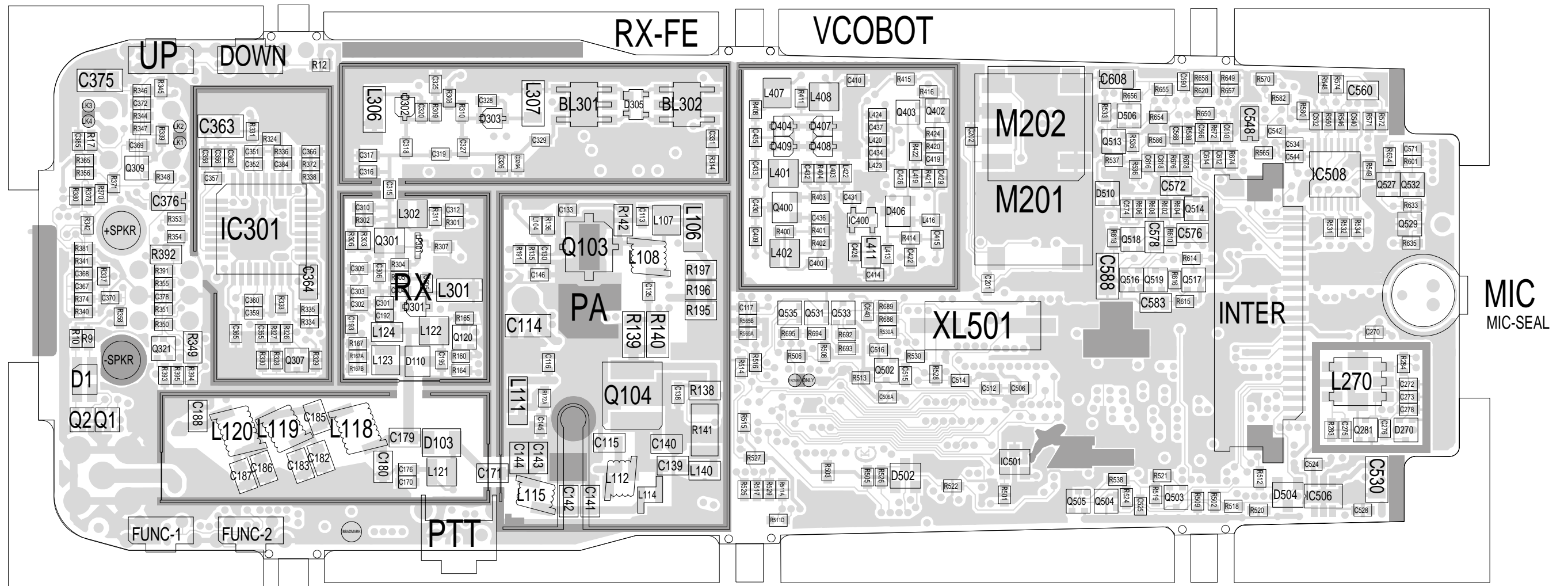
REV/ISS	AMENDMENTS	DRAWN	CHKD	D.O.	APVD	DATE



© TAIT ELECTRONICS
 ORCA :TP010-3122 136-174MHZ
 VCO
 IPN: 220-01588-03 ISSUE: D ID: 2.SC. 7
 PROJECT: TAIT ORCA DESIGNER: BRD FILE NAME: 158803d FILE DATE: 7-Feb-00 NO.SHEETS: 7

01A		CJK				12/02/99
REV/ISS	AMENDMENTS	DRAWN	CHKD	D.O.	APVD	DATE





TAIT ELECTRONICS IPN: 220-01588-03 ISS: -03A ID: 6.BA DATE: 12 Aug 1999
 ORCA VHF PCB LAYOUT - BOTTOM SIDE

Scale: 2.3:1 ; Rotation: 0 degrees